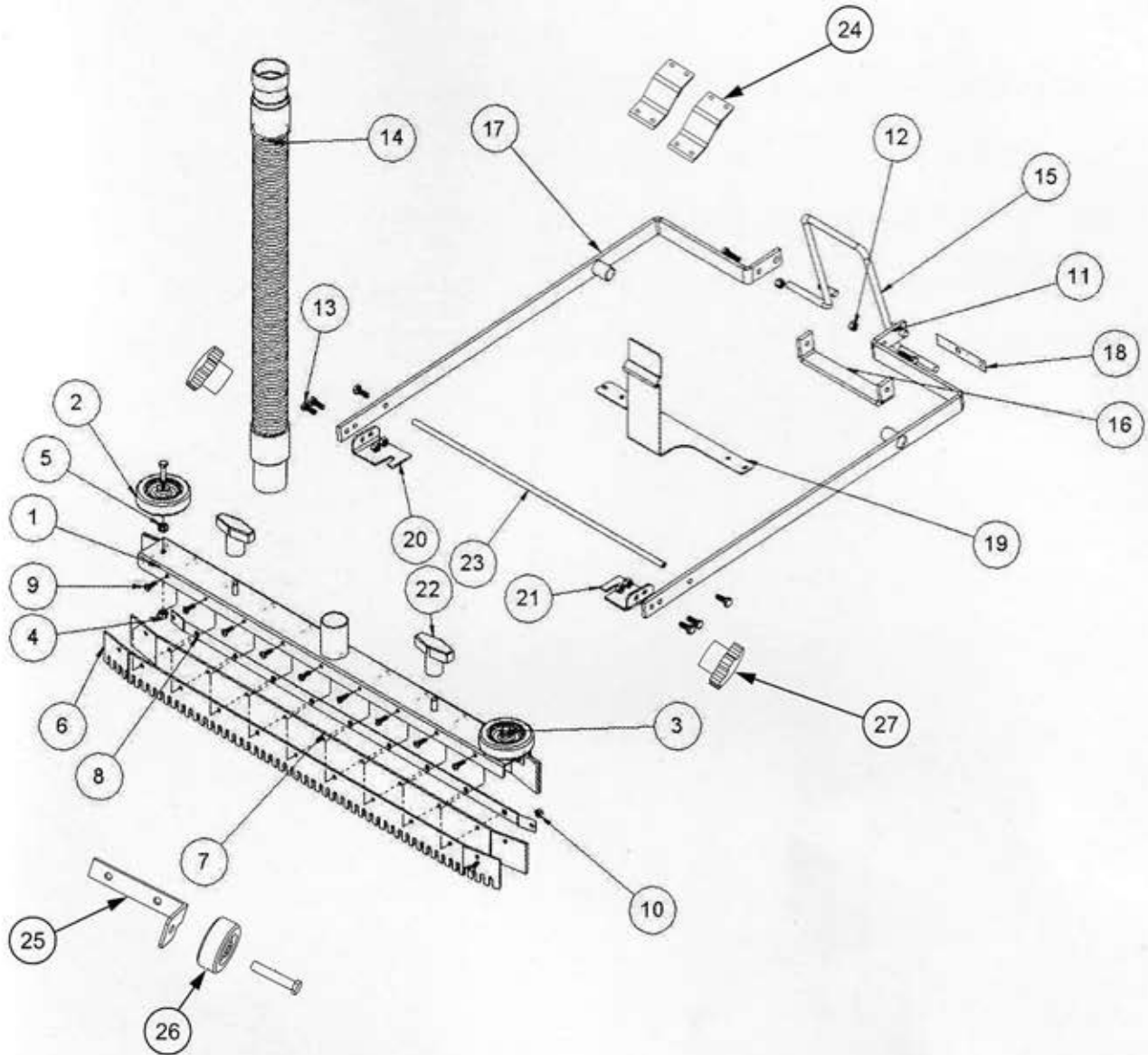


Schematic Diagram- Squeegee



1. Main body of 90L pre-water sucker
2. Grey collision $\phi 7*77$ wheel
3. Outer hexagonal screw HM6*40
4. M6 Self-lock nut
5. $\phi 6*12*1$ Washer
6. Orange crash bar B
7. Orange crash bar A
8. 90L water head iron plates
9. Screws PM5*15
10. M5 nut
11. Lift part of 90L bottom bracket
12. M6 Self-lock nut
13. Screws HM6*20
14. Sewage pipe $\phi 40*700$

15. Lifting frame of 90L bottom bracket
16. U type connection sheet of 90L bottom bracket
17. Right part of 90L bottom bracket
18. Connecting bracket of 90L pre-water sucker
19. Lifting baffle 90L bottom bracket
20. Left bracket 90L pre-water sucker
21. Right bracket 90L pre-water sucker
22. Plum nut M8*40
23. Connecting rod 90L bottom bracket
24. Installation fastener of water sucker
25. L installation fastener of front wheel
26. 2 inches gray front wheel
27. Plum nut M8