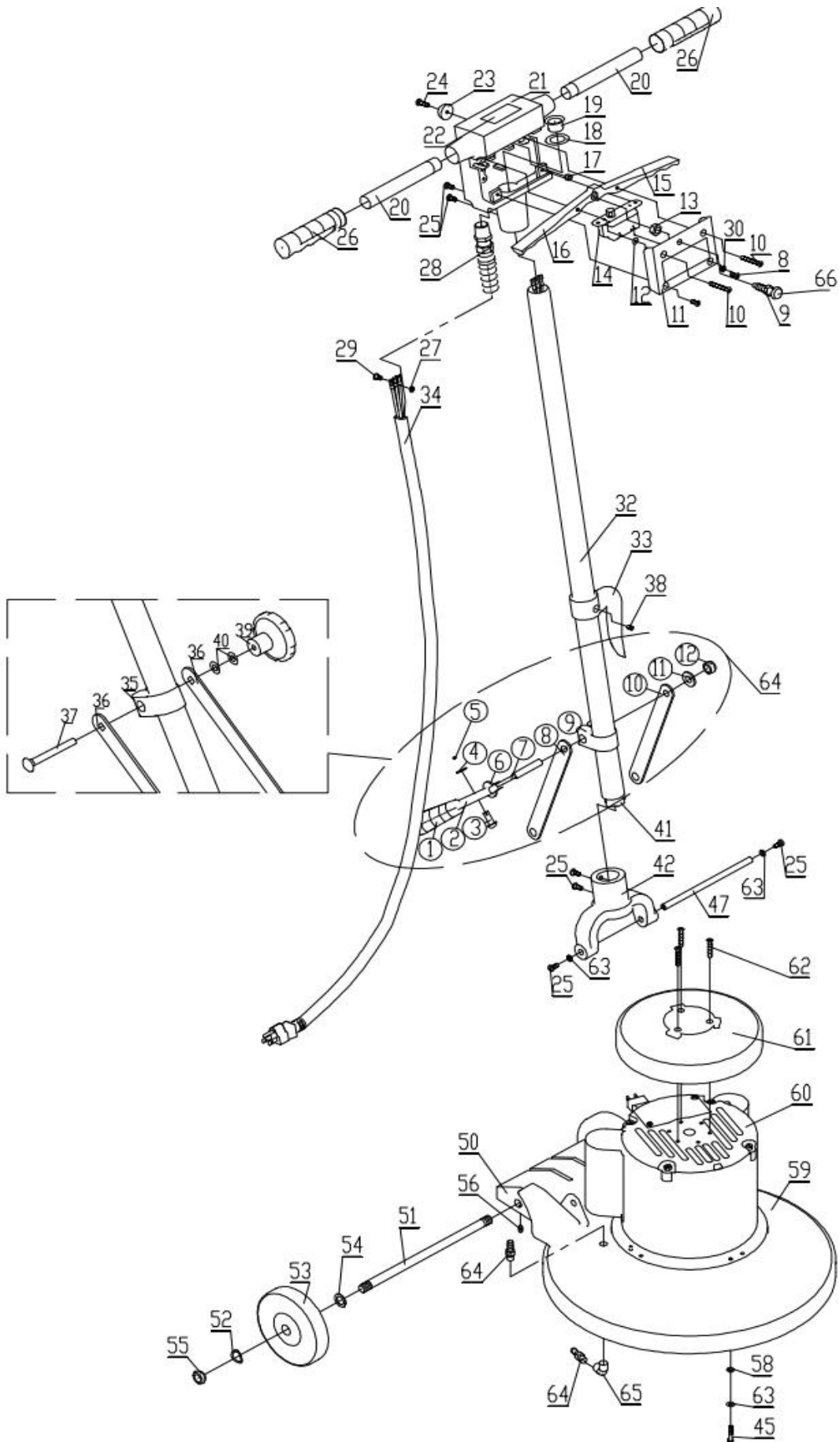




JL Pro Buffer 17" & 20" Parts List



ITEM	PART NO.	DESCRIPTION
1	W323D	Screw, 6-32×1 pan
2	980016	Washer, #6 ext. tooth
3	500801	Bracket, switch mounting
4	911135	Switch
5	508301	Spring
6	507001	Plunger
7	500802	Bracket, switch
8	962002	Screw, 10-32×1/2 oval
9	504810	Interlock asm.
10	962011	Screw, 10-32×3/4 oval
11	486404	Switch cover plate
12	509821	Washer, rubber
13	920005	Nut, 3/8-24 hex
14	505003	Switch assembly
15	505121	Lever, switch left
16	505120	Lever, switch right
17	920001	Nut, 10-32 elastic stop
18	509830	Washer, handle tube
19	503320	Flange, strain relief
20	505720	Handle nipple
21	481304	Switch housing
22	515150	Warning label
23	501210	Bumper, handle
24	962003	Screw, 10-32×3/4 pan
25	962006	Screw, 1/4-20×1/2 pan
26	503711	Handle grip, grey
	501501	Cap, protective end (blue)
27	980015	Washer, #10 shake proof
28	508520	Strain relief-complete
	502020	Strain relief-brass clamp
29	962015	Screw, 10-32×3/8 pan

ITEM	PART NO.	DESCRIPTION
30	980018	Washer, #10 countersunk
32	509082	Handle tube
33	504420	Cord hook
34	502421	Cord asm.
35	502021	Clamp-handle
36	500840	Arm, handle support
37	962009	Bolt, carriage 5/16-18×2-1/2
38	962005	Screw, 1/4-20×3/8 allen
39	505010	Turn knob
40	980007	Washer, 5/16 flat
41	908004	Handle cord
42	509920	Yoke, handle
43	504702	Insulator-switch
44	509823	Washer, felt
45	962010	Screw, 1/4-20×1 HH
47	507480	Shaft, handle pivot
50	483210	Base 17``
		Base 20``
51	487702	Wheel axle
52	980005	Washer, wave
53	509781	Wheel, 5``
54	509820	Washer, fiber
55	w502d	Nut, 1/2-13 hex
56	962016	Screw, 10-32×3/8 set
58	980004	Washer, 1/4 flat
59	481202	Bumper, 17``
	481203	Bumper, 20``
60	参看 P6	Motor assembly
61	502373	Drip cover
62	962019	Screw, 10-32×5/8 PHP
63	980002	Washer, 1/4 lock